



Overview

The Media Router S2 (CMR-5975) enables the reception of DVB-S and DVB-S2 IP-based multimedia (video, audio and data) content to be delivered over satellite and distributed to remote devices connected to the MR-S2 via an Ethernet LAN.

The MR-S2 is unique, since it provides a DVB-S or DVB-S2 input with an Ethernet output.

Features

- DVB-S and DVB-S2
- L-Band satellite input
- 10/100Base-T Ethernet output
- 1:1 Redundant Operation

Reliable Operations

- No hard drive – All firmware boots from Flash resulting in no moving parts
- High availability product
- Embedded CPU and eCOS operating system
- Over 100,000 MTBF
- 1:1 Redundant support

Ease of Use

- Configuration options: Terminal, HTTP or Telnet
- SNMP LD Private MIB with SNMP v1 traps

Investment Protection

Upgrade firmware individually via TFTP

Compliance

- DVB-S (ETSI EN 300 421)
- DVB-S2 (ETSI EN 302 307)
- DVB Data Broadcasting (ETSI EN 301 192)
- ATSC Data Broadcasting (A/90)
- 10/100Base-T Ethernet (IEEE 802.3u)
- IGMP v2 Support

Display LEDs

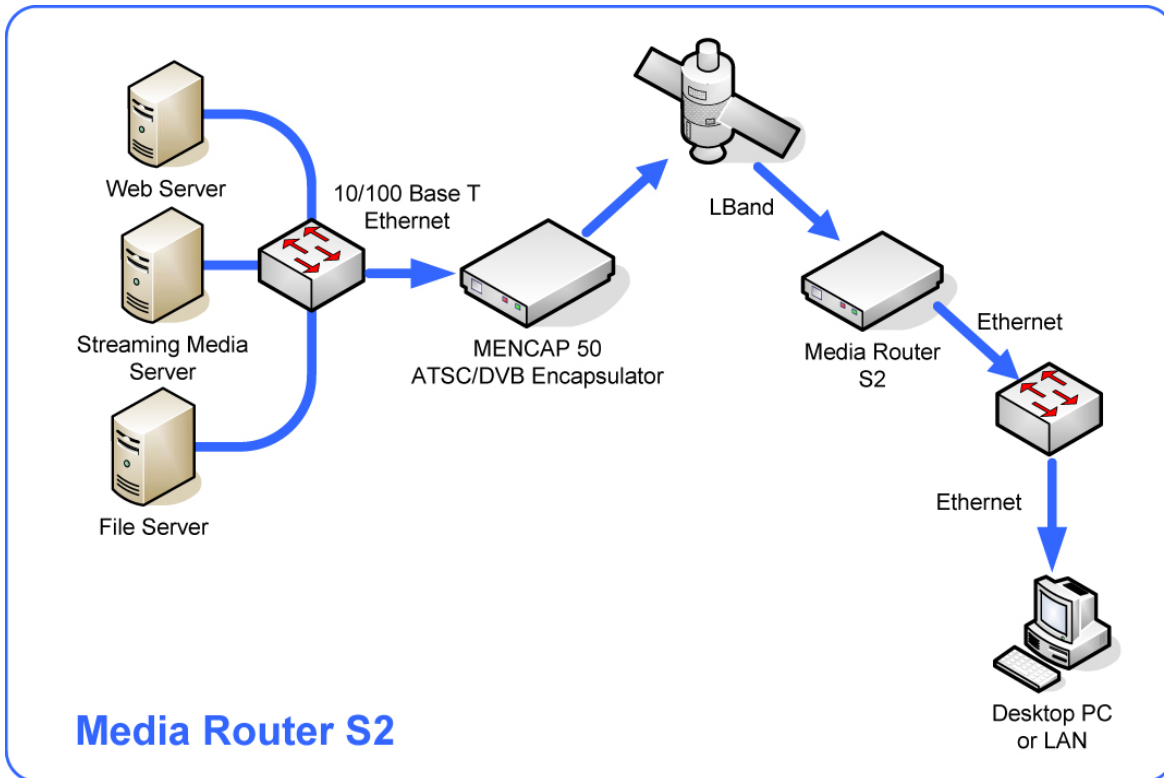
- Power (Blue)
- Ethernet TX (Green)
- Ethernet RX (Green)
- Ethernet Link (Green)
- Ethernet Col (Yellow)
- Carrier Lock (Green)
- Redundancy (Green)
- Alarm (Red)

Typical Users

- Video Distribution Service Providers
- ISPs
- Advertisement Agencies

Common Applications

- Fast Internet / intranet
- Streaming Audio / Video
- IP Multicasting
- Business TV, training, e-learning or live events
- Multicast file transfer
- Point-to-point Unicast transfer
- Transport stream over IP



Specifications

Physical & Power

Dimensions (height x width x depth)	1.75" x 7.125" x 8.75" (4.4 x 18.10 x 22.23 cm)
Power consumption	25 W maximum
Input Voltage	Universal 100-240 VAC 47 Hz - 63 Hz desktop power supply to 5 VDC @ 5.0 A

Environment

Operating temperature	0° to 40°C
Storage temperature	-30° to 65°C
Humidity	10% to 75% non-condensing

Connectors

RJ-45	10/100Base-T Ethernet interface (IEEE 802.3u)
F-Type	L-Band input
RJ-12	Terminal (RS-232) Aux port for serial control

Operating Range

L-Band input frequency	950 to 2150 MHz
L-Band input power	-65 to -25 dBm
Support for DVB-S	2 to 45 Msps FEC: 1/2, 2/3, 3/4, 5/6, 7/8
Support for DVB-S2	2 to 32 Msps FEC: 1/2, 3/5, 2/3, 3/4, 4/5, 5/6, 8/9, 9/10 QPSK and 8-PSK operation

Optional Equipment

Rack Mount Shelf - TR-1600	1RU 19" rack-mount shelf can house one or two CMR-5975 units
----------------------------	--



2114 West 7th Street, Tempe, Arizona 85281 USA
Voice: +1.480.333.2200 • Fax: +1.480.333.2540 • Email: sales@comtechefdata.com



See all of Comtech EF Data's Patents and Patents Pending at <http://patents.comtechefdata.com>

Comtech EF Data reserves the right to change specifications of products described in this document at any time without notice and without obligation to notify any person of such changes. Information in this document may differ from that published in other Comtech EF Data documents. Refer to the website or contact Customer Service for the latest released product information.